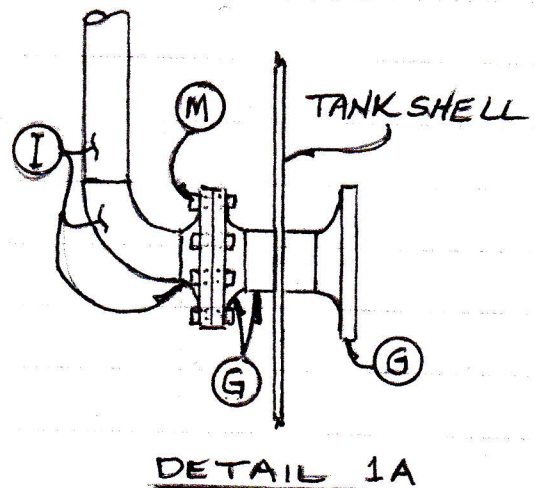
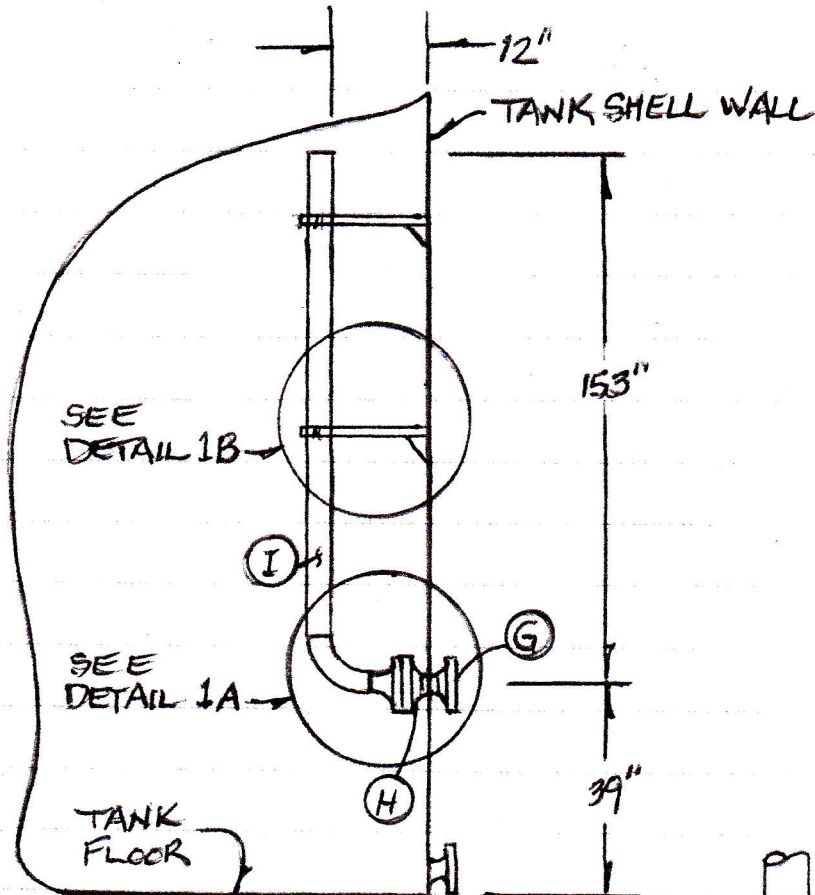


# Ranchers Welding

Box 1, Cromer, Manitoba R0M 0J0

Phone 204-556-2272

Fax 204-556-2641



- (I) Up-comer Assembly  
4" 150 RFWN (1)  
4" x 90° W-LR Sched 40 Elbow  
4" Sched 40 Pipe 147" long
- (M) Bolt up kit  
5/8" Studs (8)  
5/8" Nuts (16)  
4" Flex Gasket (1)
- (G) Nozzle Assembly  
4" 150 RFWN (2)  
4" Sched 40 Pipe 6" long

Sketch: 400 B UPCOMER 4"

Rev: C Date: OCT 12, 2012 Approved: [Signature]