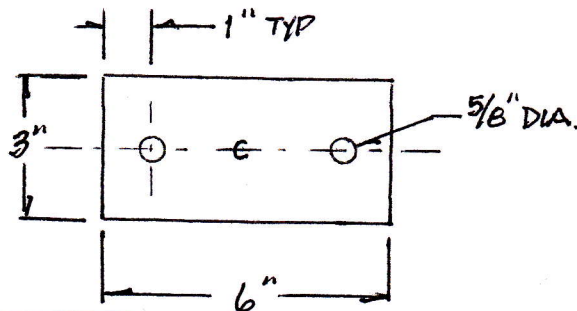
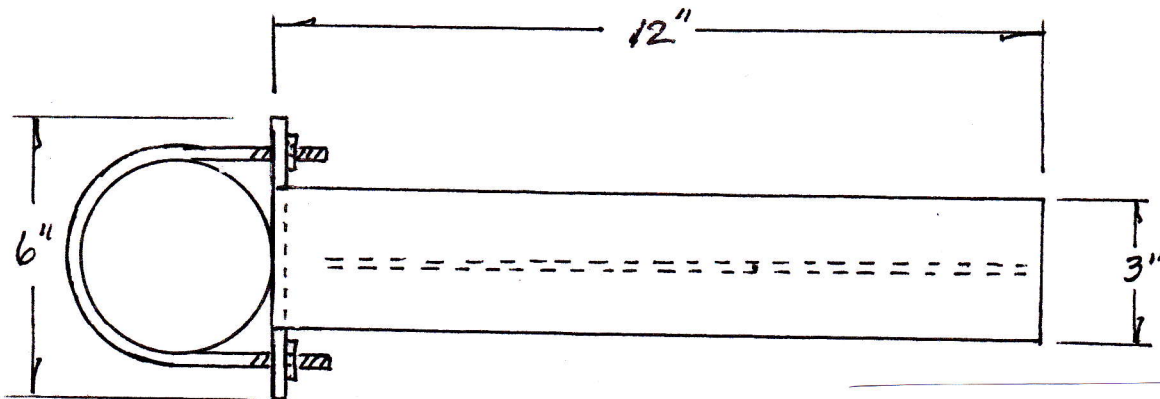
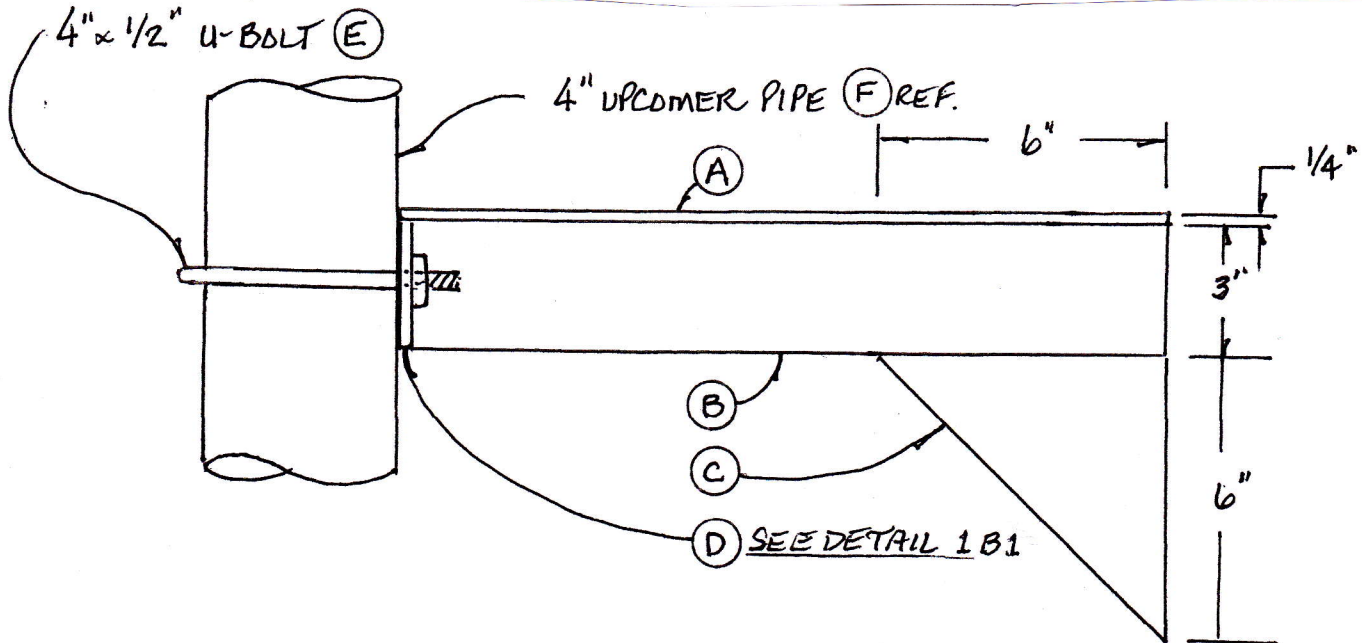


Ranchers Welding

Box 1, Cromer, Manitoba R0M 0J0

Phone 204-556-2272

Fax 204-556-2641



ITEM (D) DETAIL 1 B 1

- (A) 1/4" x 3" Flat 16" long
- (B) 1/4" x 3" Flat 15 3/4" long
- (C) 1/4" x 6" x 6" x 45° Plate
- (D) 1/4" x 3" Flat 6" long
- (E) 1/4" x 1/2" U-Bolt c/w Nuts
- (F) 4" Sched 40 Pipe 147" long

Sketch: 400B UPCOMER 4" DETAIL 1B Rev: C Date: OCT 12, 2012 Approved: *[Signature]*